



### Model Number

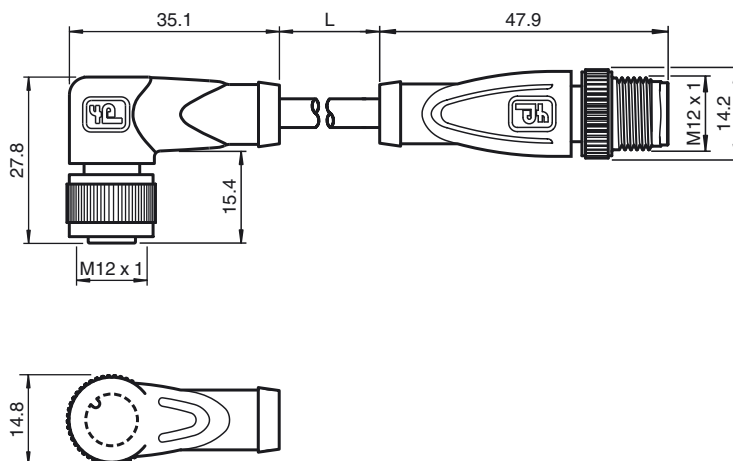
#### V1-W-E2-15M-PUR-V1-G

Connection cable, M12 to M12 with LED, PUR cable, 3-pin

### Features

- Built-in LED, as operating and function indicator
- Knurled nut suitable for tool assembly
- Immunity to vibration, with mechanical latching
- Gold plated contacts
- Degree of protection IP67 / IP68 / IP69K
- Halogen-free

### Dimensions



### Technical data

#### General specifications

Number of pins 3

#### Indicators/operating means

LED green Operating display  
LED yellow Functional display NO

#### Electrical specifications

Operating voltage  $U_B$  max. 24 V DC  $\pm$  15%  
Operating current  $I_B$  max. 4 A  
Contact resistance < 10 m $\Omega$

#### Ambient conditions

Ambient temperature Body: -40 ... 90 °C (-40 ... 194 °F)  
cable, fixed: -40 ... 80 °C (-40 ... 176 °F)  
cable, flexing: -30 ... 80 °C (-22 ... 176 °F)

Pollution degree 3

#### Mechanical specifications

Contact elements spring-loaded contact socket  
Pin diameter 1 mm  
Degree of protection IP67 / IP68 / IP69k

#### Material

Contacts CuSn / Au  
Contact surface Au  
Body TPU, transparent/black  
Cable PUR  
Slotted nut Diecast zinc  
Sleeve connector Diecast zinc  
Core insulation PP

Cable fine-strand, flexible  
Sheath diameter  $\varnothing$  4.8 mm  
Bending radius > 10 x cable diameter, moving  
Color grey  
Number of cores 3  
Core cross-section 0.34 mm<sup>2</sup>  
Conductor construction 19 x 0.15 mm  $\varnothing$   
Length L 15 m  
Flammability  
Contact carrier 94 HB  
Housing 94 V-2

#### Compliance with standards and directives

Standard conformity  
Degree of protection EN 60529:2000  
Standards IEC 61076-2-101:2008  
Flammability Grip: UL 94

### Electrical connection

